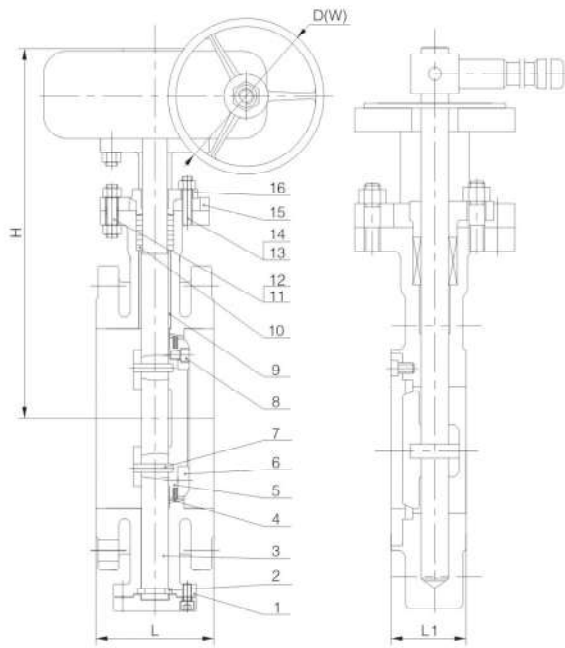


Class 125-300 Butterfly Valve

Gate Valve, Globe Valve, Plug Valve, Check Valve, Butterfly Valve ,
 Power Station Valve ,Oilfield Dedicated Valve Y-Strainer.



STANDARDS

Flange Butterfly Valves: MSS SP-67
 Wafer Butterfly Valves: MSS SP-68 OR API 609
 Face to face dimensions: ANSI B16.10 MSS SP-67 and MSS
 SP-68 or 609

Test: API598

End flange dimensions

NPS 1 1/2-24: ANSI B16.5
 NPS 30-72: MSS SP-44 or ANSI B16.47

Type of construction

Flange Butterfly Valves(Hard face and soft face)
 Wafer Butterfly Valves(Hard face and soft face)

Type of connection

R F and RTJ flange ends to ANSI B16.5 or API 605
 and MSS SP-44 standard.

Type of operation

Lever
 Worm Gear actuator, Electric actuator, Pneumatic actuator.
 Actuator dimensions to ISO 5211 standard.

Material List

No	Part Name	Carbon Steel		Alloy Steel			Stainless Steel			
		WCB	LCB	WC6	WC9	C5	CF8	CF8M	CF3	CF3M
1	Body	A216 WCB	A352 WCB	A217 WC6	A217 WC9	A217 C5	A351 CF8	A351 CF8M	A351 CF3	A351 CF3M
2	Below Axle Bush	PTFE or Stainless Steel And Graphite Spiral Wound								
3	Stem	A182 F6	A182 F6	A182 F304	A182 F304	A182 F304	A182 F304	A182 F316	A182 F304L	A182 F316L
4	Seat Ring	F6	F6	STL	STL6	STL6	F304	F316	F304L	F316L
5	Butterfly Plate	A216 WCB	A352 WCB	A217 WC6	A217 WC9	A217 C5	A351 CF8	A351 CF8M	A351 CF3	A351 CF3M
6	Lock Ring	A105	A182 F6	A182 F22	A182 F22	A182 F22	A182 F304	A182 F316	A182 F304L	A182 F316L
7	Pin	Carbon Steel or Alloy Steel								
8	Screw	Carbon Steel or Alloy Steel								
9	Top Axle Bush	PTFE or Stainless Steel And Graphite Spiral Wound								
10	Packing	Graphite + 304								
11	Bolt	A193 B7	A193 B7	A193 B7	A193 B7	A193 B7	A193 B8	A193 B8	A193 B8	A193 B8
12	Nut	A194 2H	A194 2H	A194 2H	A194 2H	A194 2H	A194 Gr.8	A194 Gr.8	A194 Gr.8	A194 Gr.8
13	Bolt	A193 B7	A193 B7	A193 B7	A193 B7	A193 B7	A193 B8	A193 B8	A193 B8	A193 B8
14	Nut	A194 2H	A194 2H	A194 2H	A194 2H	A194 2H	A194 Gr.8	A194 Gr.8	A194 Gr.8	A194 Gr.8
15	Yoke	A216 WCB	A352 WCB	A217 WC6	A217 WC9	A217 C5	A351 CF8	A351 CF8M	A351 CF3	A351 CF3M
16	Gland	A182 F6	A182 F6	A182 F304	A182 F304	A182 F304	A182 F304	A182 F316	A182 F304L	A182 F316L

The material is according to ASTM standard



Class 125-300 Butterfly Valve

Gate Valve, Globe Valve, Plug Valve, Check Valve, Butterfly Valve ,
 Power Station Valve ,Oilfield Dedicated Valve Y-Strainer.

Dimensions and Weights

CLASS 125													
DN	mm	400	450	500	600	750	900	1050	1200	1350	1500	1650	1800
NPS	in	16	18	20	24	30	36	42	48	54	60	66	72
L	mm	203.2	230.2	203.2	203.2	304.8	304.8	304.8	381.0	381.0	381.0	457.2	457.2
	in	8	8	8	8	12	12	12	15	15	15	18	18
L1	mm	79.3	101.6	127	154	165.1	200.2	251	276.4				
	in	3.12	4	5	6.06	6.5	7.88	9.88	10.88				
H	mm	481	521	568	698	903	1031	1122	1180	1425	1545	1624	1750
	in	19	20.5	22.4	27.5	35.6	40.6	44.2	46.5	56.1	60.8	64	69
Do(W)	mm	300	400	450	500	*350	*350	*350	*350	*350	*350	*350	*350
	in	11.8	15.8	17.7	19.7	13.8	13.8	13.8	13.8	13.8	13.8	13.8	13.8
Weight (Kg)	RF	230	274	375	595	1030	1985	2100	3420	3670	3880	4100	4250
	BW	200	248	334	510	880	1580	1680	2736				

CLASS 150													
DN	mm	40	50	65	80	100	125	150	200	250	300	350	400
NPS	in	1 1/2	2	2 1/2	3	4	5	6	8	10	12	14	16
L	mm				127	127	127	127	152	203.2	203.2	203.2	203.2
	in				5	5	5	5	6	8	8	8	8
L1	mm	38.1	46	50.8	48	54	63.5	57	63.5	71.5	81.0	92.0	101.5
	in	1.5	1.81	2	1.88	2.13	2.5	2.25	2.50	2.81	3.19	3.62	4.00
H	mm	185	190	220	229	239	252	284	307	337	392	435	481
	in	7.28	7.48	8.7	9	9.4	9.9	11.2	12	13.3	15.4	17.1	19
Do(W)	mm	160	160	160	160	160	160	160	200	200	250	250	300
	in	6.3	6.3	6.3	6.3	6.3	6.3	6.3	7.9	7.9	9.8	9.8	11.8
Weight (Kg)	RF				12.5	13.5	17	38	72	105	148	182	230
	BW	8	9	10	10	11	14.5	34.2	66	98	134	168	200

CLASS 150													
DN	mm	450	500	600	750	900	1050	1200	1350	1500	1650	1800	
NPS	in	18	20	24	30	36	42	48	54	60	66	72	
L	mm	203.2	203.2	203.2	304.8	304.8	304.8	381.0	381.0	381.0	457.2	457.2	
	in	8	8	8	12	12	12	15	15	15	18	18	
L1	mm	114.5	127	154	165.1	200.2	251	276.4					
	in	4.50	5.00	6.06	6.50	7.88	9.88	10.88					
H	mm	521	568	698	903	1031	1122	1180	1425	1545	1624	1750	
	in	20.5	22.4	27.5	35.6	40.6	44.2	46.5	56	60.8	64	69	
Do(W)	mm	400	450	500	*350	*350	*350	*350	*350	*350	*350	*350	
	in	15.8	17.7	19.7	13.8	13.8	13.8	13.8	13.8	13.8	13.8	13.8	
Weight (Kg)	RF	274	375	595	1030	1985	2100	3420	3875	3980	4210	4335	
	BW	248	334	510	880	1580	1680	2736					

CLASS 300													
DN	mm	40	50	65	80	100	125	150	200	250	300	350	400
NPS	in	1 1/2	2	2 1/2	3	4	5	6	8	10	12	14	16
L	mm				127	127	127	127	152.4	203.2	203.2	203.2	203.2
	in				5	5	5	5	6	8	8	8	8
L1	mm	38.1	46	50.8	48	54	57.2	59	73	82.5	92	117.5	133.5
	in	1.5	1.81	2.0	1.88	2.12	2.25	2.31	2.88	3.25	3.62	4.62	5.25
H	mm	185	190	220	229	248	258	301	318	365	415	458	510
	in	7.28	7.48	8.7	9	9.8	10.2	11.9	12.5	14.4	16.3	18	20
Do(W)	mm	160	160	160	160	160	160	200	200	250	300	400	450
	in	6.3	6.3	6.3	6.3	6.3	6.3	7.9	7.9	9.8	11.8	15.8	17.7
Weight (Kg)	RF				12.5	15.7	19.8	42	97	167	182	268	287
	BW	9	10.5	11.5	12.5	13.2	17.6	39.8	88	143	157	222	253